

**Plateau** is part of a collection in collaboration with Paul Jackson.

Plateau was developed using his many years of experience as a professional paper artist to re-form a sheet of felt from flat to a three-dimensional form simply by cutting and folding the material. The folding of the tile creates an elevated area that rises above the surrounding environment creating the effect of a ceiling within a ceiling.

This product is also available with an optional cap tile to completely enclose the product when required.

Installation types:

Drop the tiles into any 9/16" or 15/16" tee-grid.

Concealed tile install - tiles fit neatly together edge-to-edge, to conceal the actual grid.





### Material

9mm Polyester (PET) Felt +/- 0.35"



### Size

23.75" (l) x 23.75" (w) x 6" (d)

note: 6" clearance required above grid. In areas where you do not have this clearance, the fl t tile is required.



### Weight

3.12 lb / 4.66 lb with cap



### Warranty

3-Year



### Flammability

ASTM E84 Class A Certified / CAN/ULC-S102.2



### Environmental

Polyester (PET) felt 60% pre-consumer recycled



### Color

Choose from one of our standard colors shown below. **See page 4 for additional colors that can be added as accents to your design.**



Slight variations in color should be expected when using this material. We suggest that you request a material sample to verify felt colors.



### Acoustics

Cloud installation

- Test Method - ASTM E795-16 Type J Mounting closed tile - NRC 1.25
- Test Method - ASTM E795-16 Type J Mounting open tile - NRC .9

Closed/open plenum installation

- Test Method - ASTM E795-16 Type E-400 Mounting closed tile - NRC 1.0
- Test Method - ASTM E795-16 Type E-400 Mounting open tile - NRC .9

Testing results available upon request at sales@fact.design





### Lead Time

Ships in four (4) weeks



### Application

Commercial/Office, Education, Hospitality, Retail



### Pattern

Non-Directional



### Installation / Maintenance

Configure each tile according to the illustrations below. Insert the finished tiles into the tee grid.

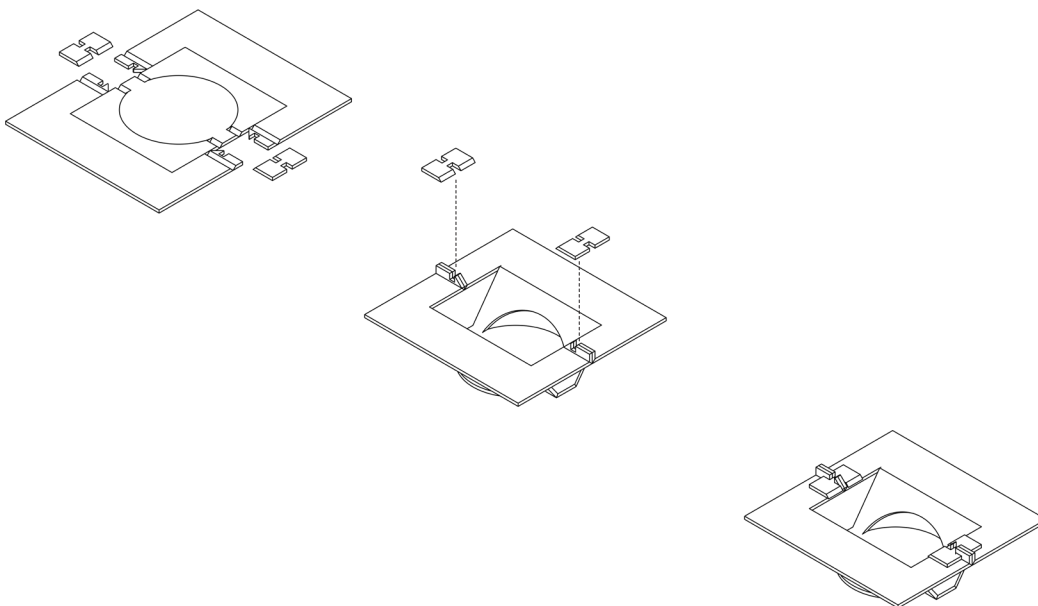
To remove dust or air-borne particulate matter, simply vacuum the tiles or use compressed air. For deeper cleaning of stains, use a clean cloth or sponge with a non-solvent base solution of carpet shampoo always making sure to follow the manufacturer's instructions. Starting from the outside of the stain work in a circular motion towards the center which should avoid spreading the stain. Afterwards, use a clean sponge or cloth with clean warm water to remove excess moisture. Allow to dry, then brush the area gently with a soft brush if needed.

The treatments listed above are intended as general guidance only. FACT design takes no responsibility for any damage that may occur from the execution of the treatment listed above.



### Custom Print

We can custom-print your tiles with any pattern, image, or color that you can imagine. Tie in your brand, rep your school, or just create something amazing. Get in touch for a quote to custom-print your project.



## **camira Blazer - Catagory A**

Min. Requirements:  
Ceilings - 160 sq. ft. per color  
Walls - 40 sq. ft. per color

If your project requires less, please reach out to your **local rep** to discuss the project.

---

## **camira Blazer Lite - Catagory A**

Min. Requirements:  
Ceilings - 160 sq. ft. per color  
Walls - 40 sq. ft. per color

If your project requires less, please reach out to your **local rep** to discuss the project.

---

## **kvadrat Divina 3 - Catagory B**

Min. Requirements:  
Ceilings - 320 sq. ft. per color  
Walls - 40 sq. ft. per color

If your project requires less, please reach out to your **local rep** to discuss the project.

---

## **kvadrat Divina Melange 3 - Catagory B**

Min. Requirements:  
Ceilings - 320 sq. ft. per color  
Walls - 40 sq. ft. per color

If your project requires less, please reach out to your **local rep** to discuss the project.

---

## **kvadrat Divina MD - Catagory B**

Min. Requirements:  
Ceilings - 320 sq. ft. per color  
Walls - 40 sq. ft. per color

If your project requires less, please reach out to your **local rep** to discuss the project.



**metro faux felt - Category A**

Min. Requirements:  
Ceilings - none  
Walls - none

---